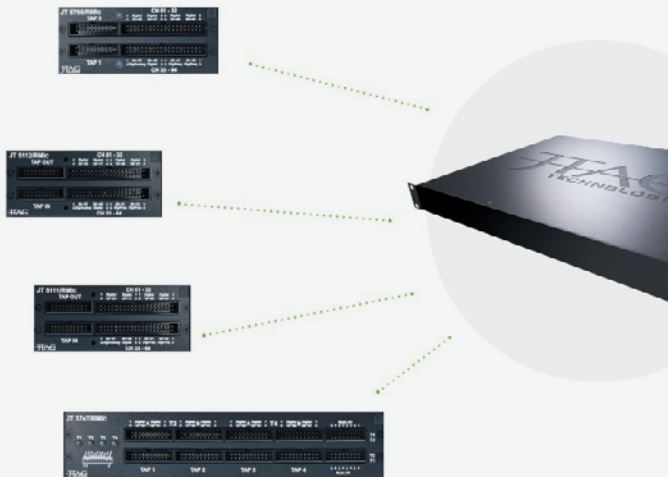


JT 57XX/RMIc- Configurable Rackmountable JTAG Instrument

Modular controller & I/O system with analog and high-speed options



Key features:

- Four module slots for controller, digital I/O or MIOS
- Up to 256 I/O channels and eight TAPs in total
- High-speed (15MHz) and ultra-high-speed (40MHz) controller options
- Compact 1U 19" rackmount chassis
- Mixed signal measurement features include
 - frequency counter
 - programmable clock generator
 - pulse width measurement
 - analog measure and source

The new concept JTAG-powered PCB tester-programmer - the JT 57xx/RMIc 'Combi-System' - comprises a sleek base-level 19" 1U rack-mount chassis assembly that can house up to four customer-specified modules offering various JTAG (IEEE 1149.x) controller, digital IO and analog IO and other measurement features.

The modules are either ½ rack or ¼ rack width and are available as follows:-

- JT 5705/RMIc- ¼ width module featuring two (15MHz) TAPs and 64 mixed signal IO (MIOS) channels
- JT 57x7/RMIc- ½ width module featuring four (40MHz) TAPs, 64 digital IO (DIOS) channels and sixteen static IO channels
- JT 5112/RMIc- ¼ width module featuring 64 mixed signal I/O (MIOS) channels
- JT 5111/RMIc- ¼ width module featuring 64 digital I/O (DIOS) channels

The modules offer identical specs to their bench-top equivalents but benefit from higher channel and TAP density, and smaller footprint. By mixing and matching the modules users can configure almost any type of single-box JTAG/boundary-scan tester-programmer that

might be needed, making it a most cost-effective solution.

Leveraging over 25 years experience in delivering top-class test and programming solutions, JTAG Technologies has responded to customers who increasingly demand greater power in their test systems to perform both structural and functional tests and also program parts 'in-system'. The modular JT 57xxc Combi-Systems allow them to build a tester with 'just enough' capability, thus minimising the cost of test.

From JTAG Technologies CD23 release onwards, support is included for multiple instances of controller hardware and can be used in a cohesive/unified manner. For example installing four JT 5705/RMIc's into the rack-mount carrier will yield an eight-TAP tester complete with 256 mixed signal IO channels.

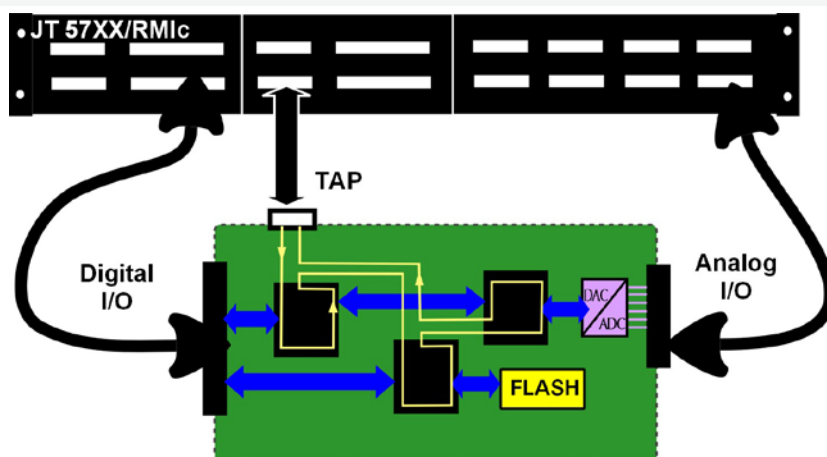
JT57xx/RMIc 'combi-systems' are supported by both JTAG ProVision and all the associated run-time software options. You can use the new combi-systems with older software but to take advantage of the extended controller support it is recommended to update to CD release 23.

JT 57XX/RMIC- CONFIGURABLE RACKMOUNTABLE JTAG INSTRUMENT

Modular controller & I/O system with analog and high-speed options

Specifications	JT 5705/RM1c	JT 57X7/RM1c	JT 5112/RM1c	JT 5111/RM1c
--	JT 5705/RM1c	JT 57X7/RM1c	JT 5112/RM1c	JT 5111/RM1c
Module size	1/4 width	1/2 width	1/4 width	1/4 width
JTAG TAPs	Two	Four	--	--
TCK max	15 MHz	40 MHz	--	--
DIOS	56	64	56	64
MIOS	8	--	8	--
Fast Flash Prog	AW signal	JT5717 & 5727 (ETT & AVI) JT 5707 (AW signal)	--	--
MIOS	Yes	--	Yes	
Analog measure	VDC ± 15V (up to 8 chs)	--	VDC ± 15V (up to 8 chs)	--
Analog Out	VDC ± 15V (up to 8 chs)	--	VDC ± 15V (up to 8 chs)	--
Frequency measure	0-200 MHz	--	0-200 MHz	0-200 MHz
Pulse-width measure	4-8192 nS (ch. 35)	--	4-8192 nS (ch. 35)	4-8192 nS (ch. 35)
Pulse Generator	0-62.5 MHz (ch. 33)	--	0-62.5 MHz (ch. 33)	0-62.5 MHz (ch. 33)
SCIL reconfigurable	Yes	Yes	Yes	Yes

Increasing test coverage



Region or Country	Telephone	E-mail
• North America	Toll free - 877 FOR JTAG Western US - 949 454 9040	info@jtag.com
• Europe and Rest of World	+31 (0)40 295 0870	info@jtag.nl
• Finland	+358 (0)9 4730 2670	finland@jtag.com
• Germany	+49 (0)971 6991064	germany@jtag.com
• Sweden	+46 (0)8 754 6200	sweden@jtag.com
• United Kingdom & Ireland	+44 (0)1234 831212	sales@jtag.co.uk
• China, Malaysia, Singapore, Thailand, Taiwan	+86 (021) 5831 1577	info@jtag.com.cn

2111-JT57xx RM1c-E-1003

© The JTAG Technologies logo and other trademarks designed with the symbol "®" are trademarks of JTAG Technologies registered in Europe and/or other countries. JTAG Technologies reserves the right to change design and specifications without notice.

